



ADVANCED SUBSIDIARY GCE UNIT
MATHEMATICS

4728/01

Mechanics 1

MONDAY 21 MAY 2007

Morning

Time: 1 hour 30 minutes

Additional Materials: Answer Booklet (8 pages)
List of Formulae (MF1)

INSTRUCTIONS TO CANDIDATES

- Write your name, centre number and candidate number in the spaces provided on the answer booklet.
- Answer **all** the questions.
- Give non-exact numerical answers correct to 3 significant figures unless a different degree of accuracy is specified in the question or is clearly appropriate.
- The acceleration due to gravity is denoted by $g \text{ m s}^{-2}$. Unless otherwise instructed, when a numerical value is needed, use $g = 9.8$.
- You are permitted to use a graphical calculator in this paper.

INFORMATION FOR CANDIDATES

- The number of marks is given in brackets [] at the end of each question or part question.
- The total number of marks for this paper is 72.

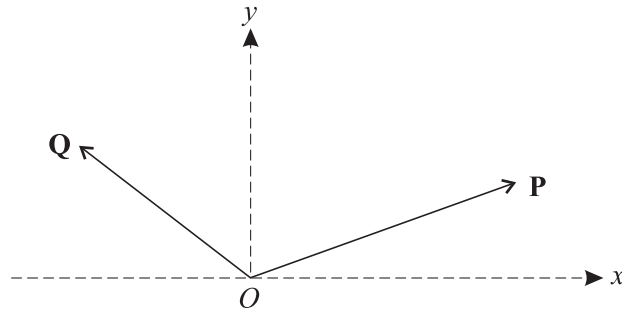
ADVICE TO CANDIDATES

- Read each question carefully and make sure you know what you have to do before starting your answer.
- **You are reminded of the need for clear presentation in your answers.**

This document consists of **6** printed pages and **2** blank pages.

2

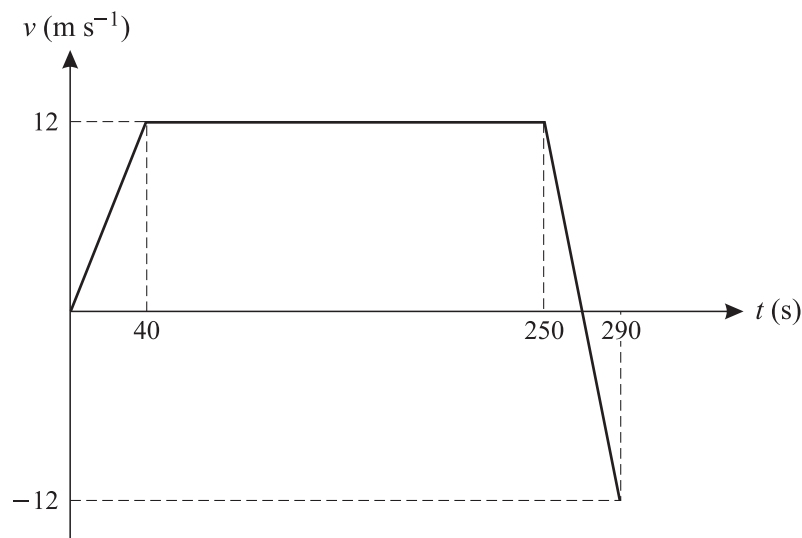
1



Two horizontal forces **P** and **Q** act at the origin O of rectangular coordinates Oxy (see diagram). The components of **P** in the x - and y -directions are 14 N and 5 N respectively. The components of **Q** in the x - and y -directions are -9 N and 7 N respectively.

- (i) Write down the components, in the x - and y -directions, of the resultant of **P** and **Q**. [2]
- (ii) Hence find the magnitude of this resultant, and the angle the resultant makes with the positive x -axis. [4]

2

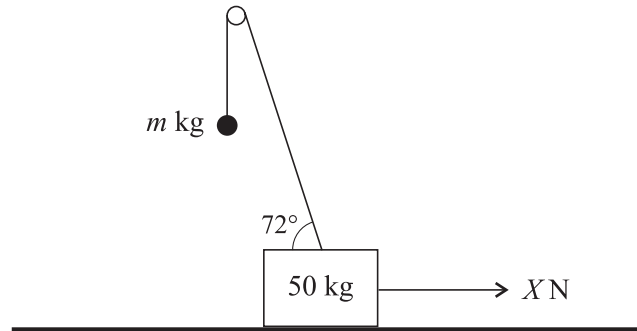


A particle starts from the point A and travels in a straight line. The diagram shows the (t, v) graph, consisting of three straight line segments, for the motion of the particle during the interval $0 \leq t \leq 290$.

- (i) Find the value of t for which the distance of the particle from A is greatest. [2]
- (ii) Find the displacement of the particle from A when $t = 290$. [3]
- (iii) Find the total distance travelled by the particle during the interval $0 \leq t \leq 290$. [2]

3

3



A block of mass 50 kg is in equilibrium on smooth horizontal ground with one end of a light wire attached to its upper surface. The other end of the wire is attached to an object of mass m kg. The wire passes over a small smooth pulley, and the object hangs vertically below the pulley. The part of the wire between the block and the pulley makes an angle of 72° with the horizontal. A horizontal force of magnitude X N acts on the block in the vertical plane containing the wire (see diagram).

The tension in the wire is T N and the contact force exerted by the ground on the block is R N.

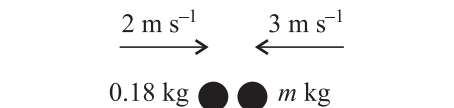
- (i) By resolving forces on the block vertically, find a relationship between T and R . [2]

It is given that the block is on the point of lifting off the ground.

- (ii) Show that $T = 515$, correct to 3 significant figures, and hence find the value of m . [4]

- (iii) By resolving forces on the block horizontally, write down a relationship between T and X , and hence find the value of X . [2]

4



Two particles of masses 0.18 kg and m kg move on a smooth horizontal plane. They are moving towards each other in the same straight line when they collide. Immediately before the impact the speeds of the particles are 2 m s^{-1} and 3 m s^{-1} respectively (see diagram).

- (i) Given that the particles are brought to rest by the impact, find m . [3]

- (ii) Given instead that the particles move with equal speeds of 1.5 m s^{-1} after the impact, find

- (a) the value of m , assuming that the particles move in opposite directions after the impact, [3]

- (b) the two possible values of m , assuming that the particles coalesce. [4]

4

5 A particle P is projected vertically upwards, from horizontal ground, with speed 8.4 m s^{-1} .

(i) Show that the greatest height above the ground reached by P is 3.6 m . [3]

A particle Q is projected vertically upwards, from a point 2 m above the ground, with speed $u \text{ m s}^{-1}$. The greatest height **above the ground** reached by Q is also 3.6 m .

(ii) Find the value of u . [2]

It is given that P and Q are projected simultaneously.

(iii) Show that, at the instant when P and Q are at the same height, the particles have the same speed and are moving in opposite directions. [6]

6 A particle starts from rest at the point A and travels in a straight line. The displacement $s \text{ m}$ of the particle from A at time $t \text{ s}$ after leaving A is given by

$$s = 0.001t^4 - 0.04t^3 + 0.6t^2, \quad \text{for } 0 \leq t \leq 10.$$

(i) Show that the velocity of the particle is 4 m s^{-1} when $t = 10$. [3]

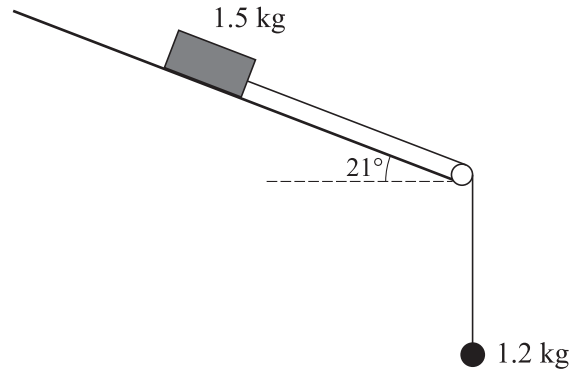
The acceleration of the particle for $t \geq 10$ is $(0.8 - 0.08t) \text{ m s}^{-2}$.

(ii) Show that the velocity of the particle is zero when $t = 20$. [5]

(iii) Find the displacement from A of the particle when $t = 20$. [6]

5

7



One end of a light inextensible string is attached to a block of mass 1.5 kg. The other end of the string is attached to an object of mass 1.2 kg. The block is held at rest in contact with a rough plane inclined at 21° to the horizontal. The string is taut and passes over a small smooth pulley at the bottom edge of the plane. The part of the string above the pulley is parallel to a line of greatest slope of the plane and the object hangs freely below the pulley (see diagram). The block is released and the object moves vertically downwards with acceleration $a \text{ m s}^{-2}$. The tension in the string is $T \text{ N}$. The coefficient of friction between the block and the plane is 0.8.

- (i) Show that the frictional force acting on the block has magnitude 10.98 N, correct to 2 decimal places. [3]
- (ii) By applying Newton's second law to the block and to the object, find a pair of simultaneous equations in T and a . [5]
- (iii) Hence show that $a = 2.24$, correct to 2 decimal places. [2]
- (iv) Given that the object is initially 2 m above a horizontal floor and that the block is 2.8 m from the pulley, find the speed of the block at the instant when
- (a) the object reaches the floor, [2]
- (b) the block reaches the pulley. [4]

6

BLANK PAGE

BLANK PAGE

Permission to reproduce items where third-party owned material protected by copyright is included has been sought and cleared where possible. Every reasonable effort has been made by the publisher (OCR) to trace copyright holders, but if any items requiring clearance have unwittingly been included, the publisher will be pleased to make amends at the earliest possible opportunity.

OCR is part of the Cambridge Assessment Group. Cambridge Assessment is the brand name of University of Cambridge Local Examinations Syndicate (UCLES), which is itself a department of the University of Cambridge.